

# LED Outdoor Flood Light With Motion Sensor 120VAC / 60Hz

Part #: 326931  
326935

## Safety Precautions

Read all safety precautions and installation instructions carefully before installing or servicing this fixture. Failure to comply with these instructions could result in potentially fatal electric shock and/or property damage.

It is recommended that a qualified electrician perform all wiring. This fixture must be wired in accordance with all national and local electrical codes.

Do not handle any energized fixture or attempt to energize any fixture with wet hands or while standing on a wet or damp surface or in water.

This fixture is designed for use in a 110-120VAC, 60Hz fused circuit. Do not use on a dimming circuit.

To reduce the risk of electrical shock, and to assure proper operation, this fixture must be adequately grounded. To accomplish proper grounding, there must be a separate ground wire (green) contact between this fixture and the ground connection of your main power supply panel.

This fixture is intended to be used for general outdoor lighting in damp or wet locations.

## Assembly Instructions

### 1. Preparing for installation

- Disconnect electrical power** at fuse or circuit breaker box before installing or servicing any part of this fixture
- Carefully remove the fixture from the carton, and check that all parts are included as shown in figure below. Be careful not to misplace any of the screws or parts which are needed for installing the fixture

### 2. Wiring (all wiring must take place inside junction box)

**Caution:** Make sure power is off at fuse or circuit breaker box. Check power wires for damage or scrapes. Use wire suitable for at least 90C (194F)

**Note:** Most dwellings built before 1985 have supply wire rated to 60C. Consult a qualified electrician before installing.

- Secure gem bar (1) to the junction box (not supplied) with two screws (2).
- Using wire nuts (supplied), connect white (neutral) supply wire to white fixture wire. Connect black (hot) supply wire to black fixture wire. Pull on each wire lead to verify all connections are secure. Make certain no bare wires are exposed outside of the wire nuts.
- Connect the green wire from the power source to the fixture ground wire.
- Tuck all connections neatly into junction box.

### 3. Mounting

- Identify the proper screw (4) length for mounting, and secure the wall plate (3) in place by threading the screw into the center of the gem bar. **Note: Do not over tighten.**
- Insert the rubber cap (not shown) in mounting screw hole to cover the screw.
- Apply a bead of silicone sealant (not supplied) around the perimeter of the wall plate following the manufacturer's instructions.

### 4. Restore power at fuse or circuit breaker box

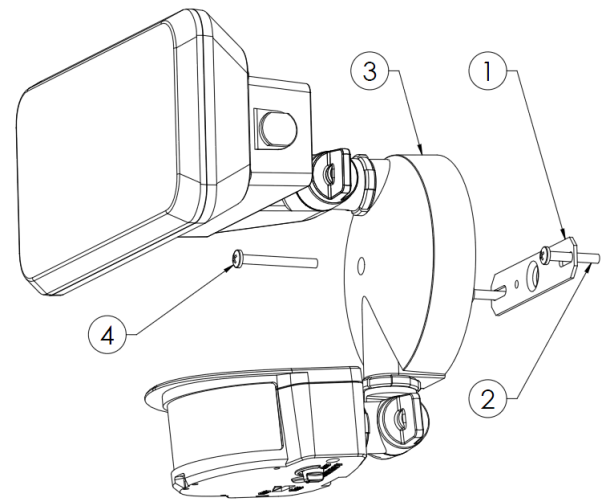
### 5. Operating the motion sensor

- Time Mode** – The maximum ON time is ten minutes once motion is no longer detected. Light shuts OFF when daylight is detected.
- Manual override** – Flip the wall switch to OFF for 1 to 3 seconds and then back to ON. The light will stay on until the wall switch is flipped to OFF and ON again. If the light is kept ON all night, it will switch OFF at dawn and return to normal security mode.

**Note: This feature only works in darkness.**

- Test Mode** – Photocell is turned off to allow the light to come ON when daylight is present.
- The sensitivity knob adjusts the fixture's sensitivity to motion. The most common setting is fully clockwise for maximum sensitivity.

**NOTE: This product must be installed in accordance with the applicable installation code by a person familiar with the construction and operation of the product and the hazards involved.**



8060370 R2

#### Limited Factory Warranty

This product is manufactured by AFX Inc. This fixture is warranted to be free from defects in materials and workmanship when installed and used under normal operating conditions for a period of 5 years from date of purchase. This warranty covers all component parts and extends only to replacement of defective fixture or components; it does not cover failure due to improper installation, misuse, mishandling or damage incurred in transit.

Distributed by:  
HD Supply Facilities Maintenance, Ltd.  
Atlanta, GA 30339  
© 2017  
Made in China

To Reorder:  
1-800-431-3000  
hdsupplysolutions.com